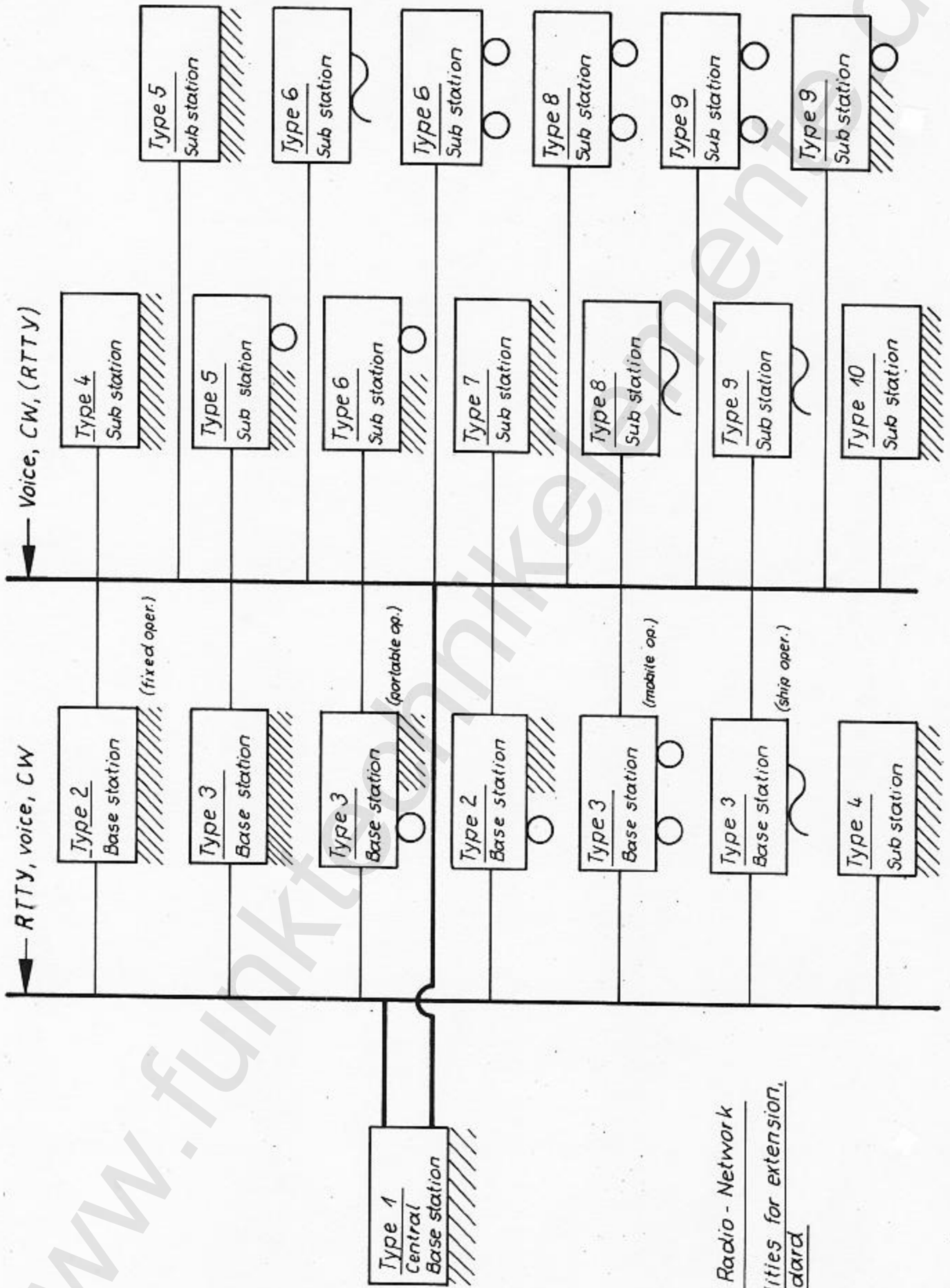


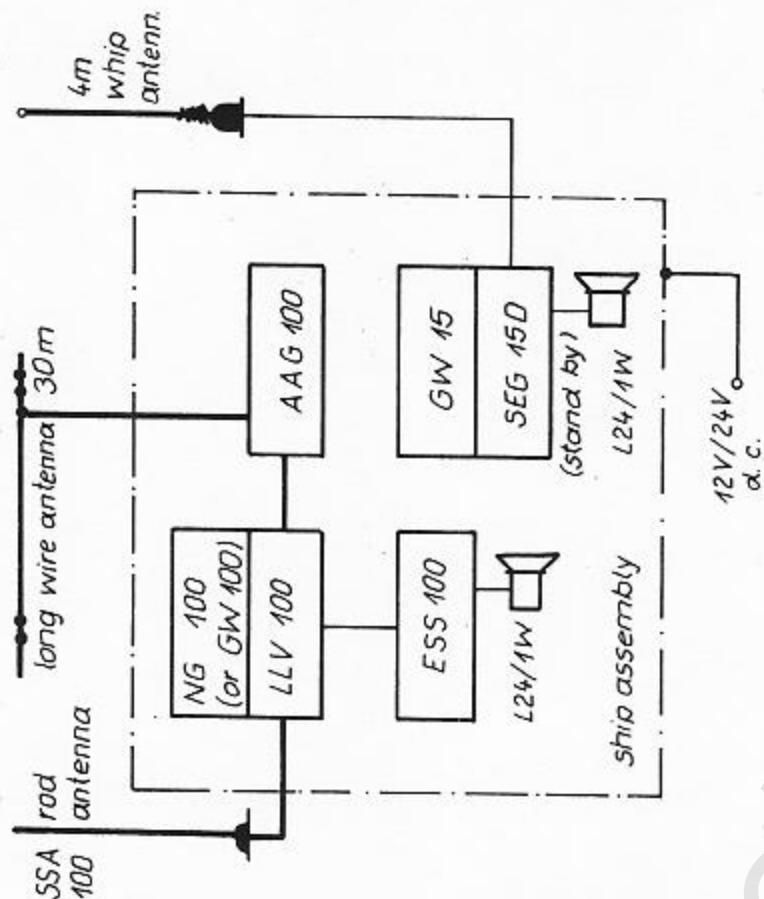
HF - Radio - Network - System  
Standard

**[www.funktechnikelemente.de](http://www.funktechnikelemente.de)**

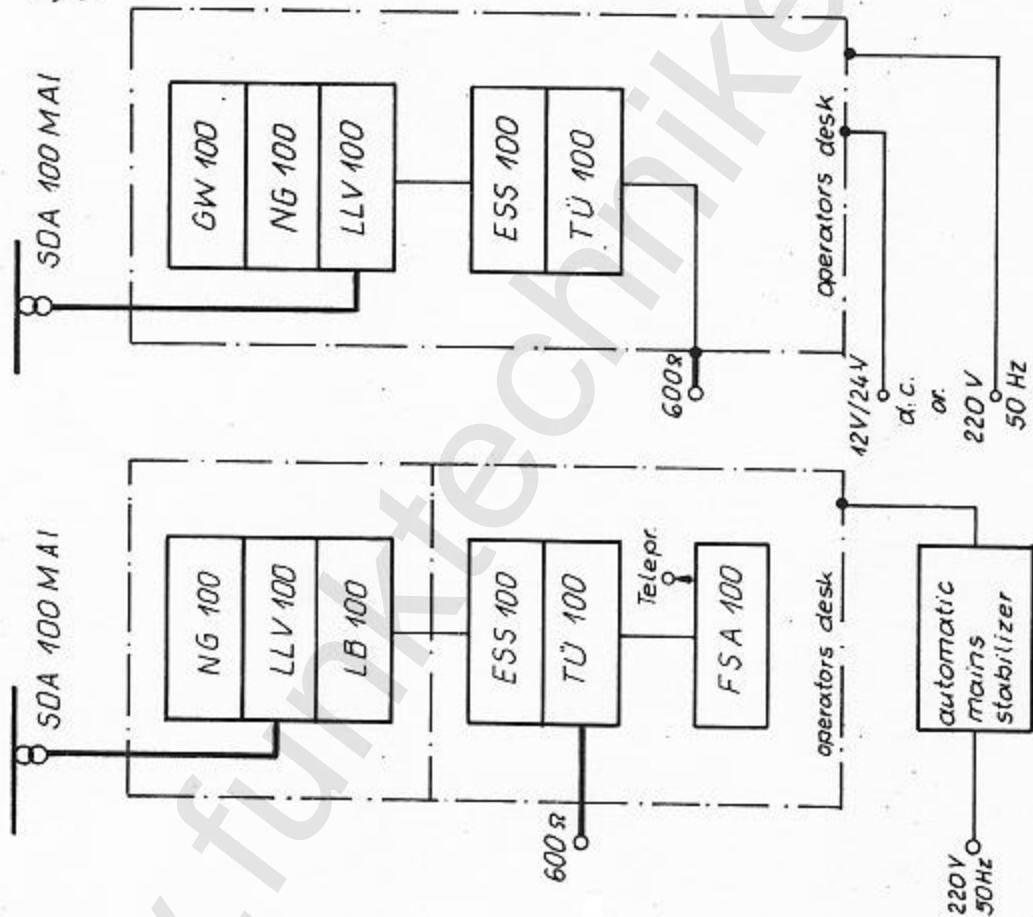
RFT / Funkwerk Köpenick / Ersatzteile  
Tel.: 0171 / 64 415 97 Fax: 030 / 654 94 031  
E-mail: [funktechnikelemente@t-online.de](mailto:funktechnikelemente@t-online.de)  
[info@funktechnikelemente.de](mailto:info@funktechnikelemente.de)  
ebay-shop: FUNKTECHNIKELEMENTE



HF - Radio - Network  
Facilities for extension,  
standard



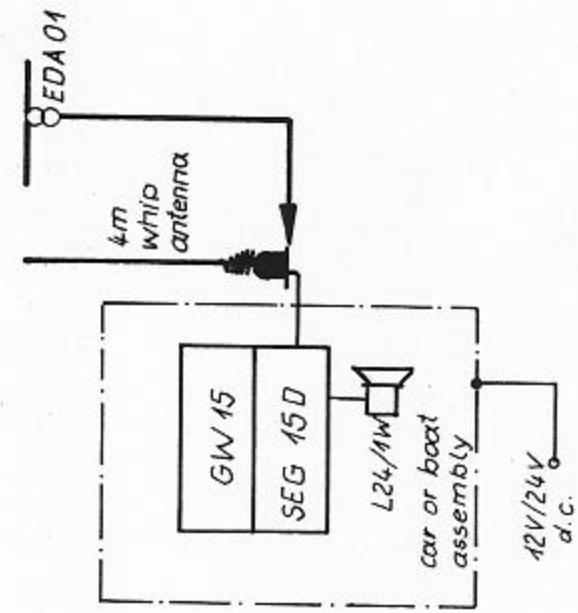
Type 6



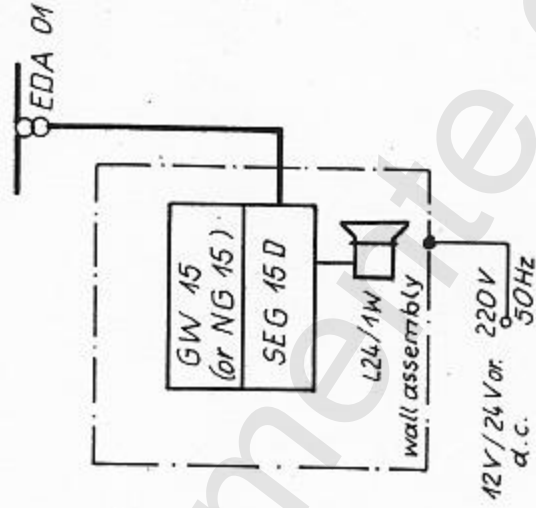
Type 4

Type 5

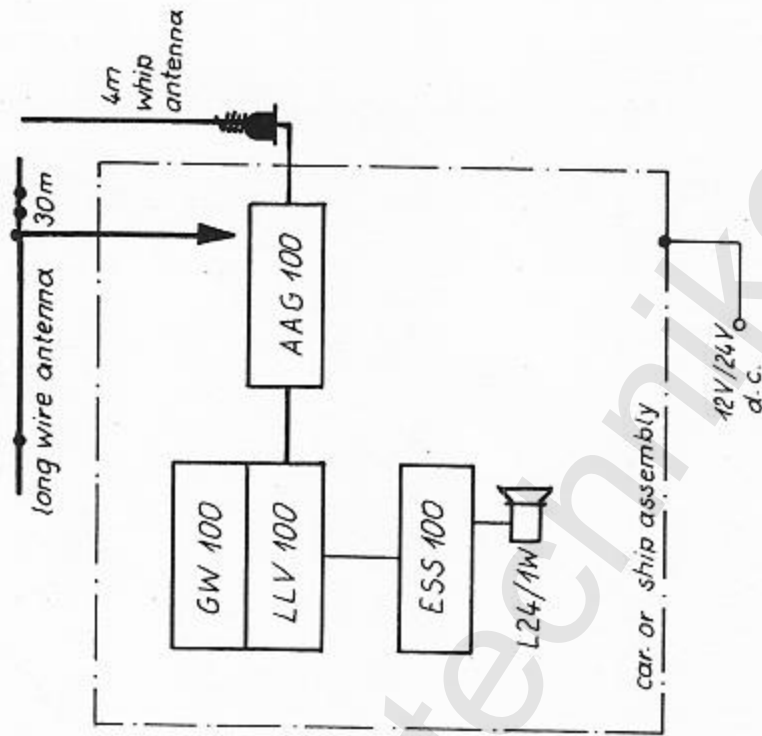
HF - Sub station 100 W (15 W standby)



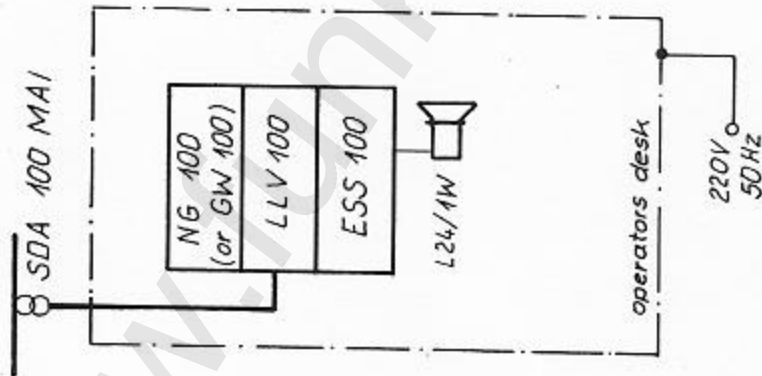
Type 9



Type 10

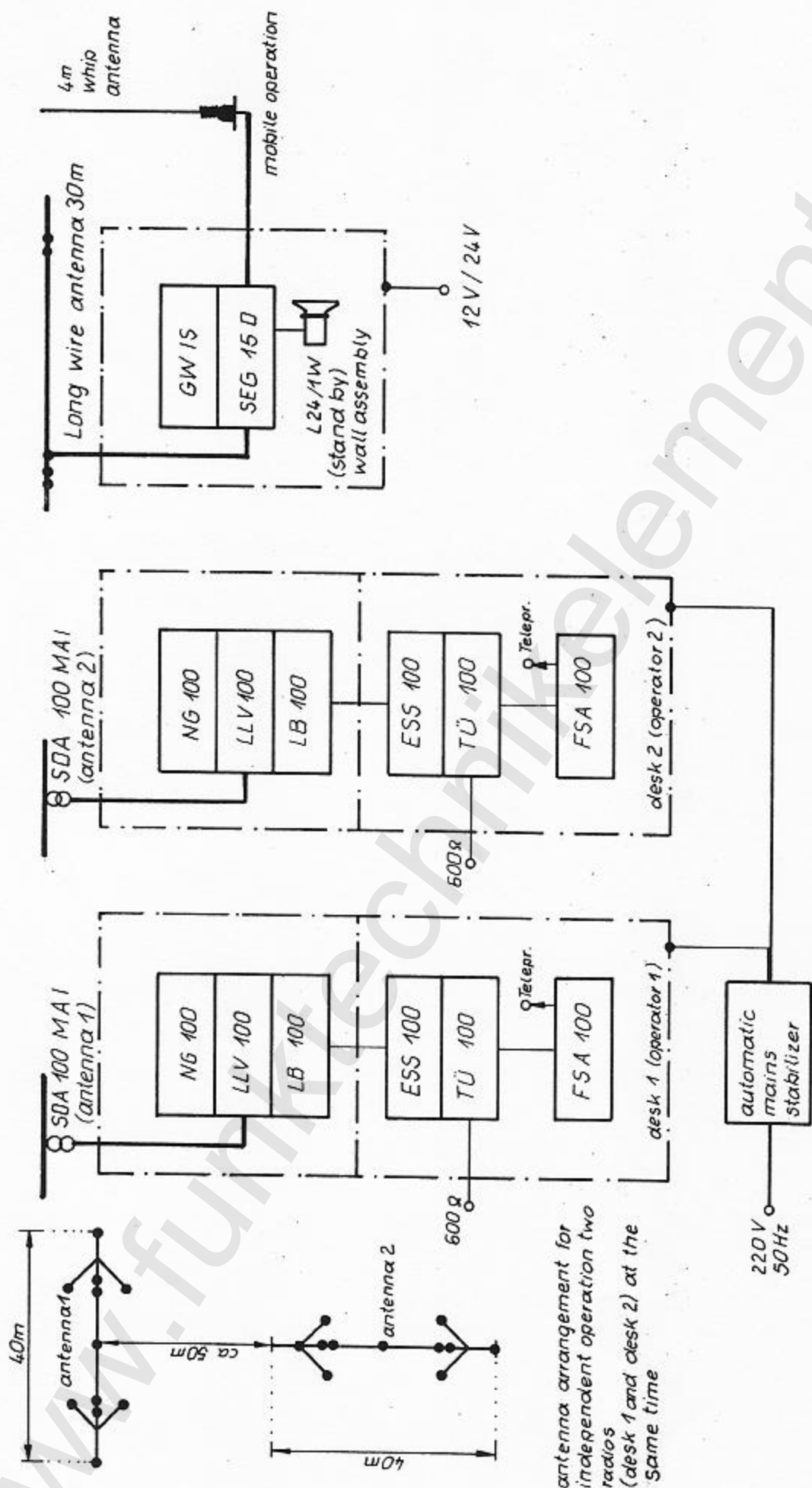


Type 8



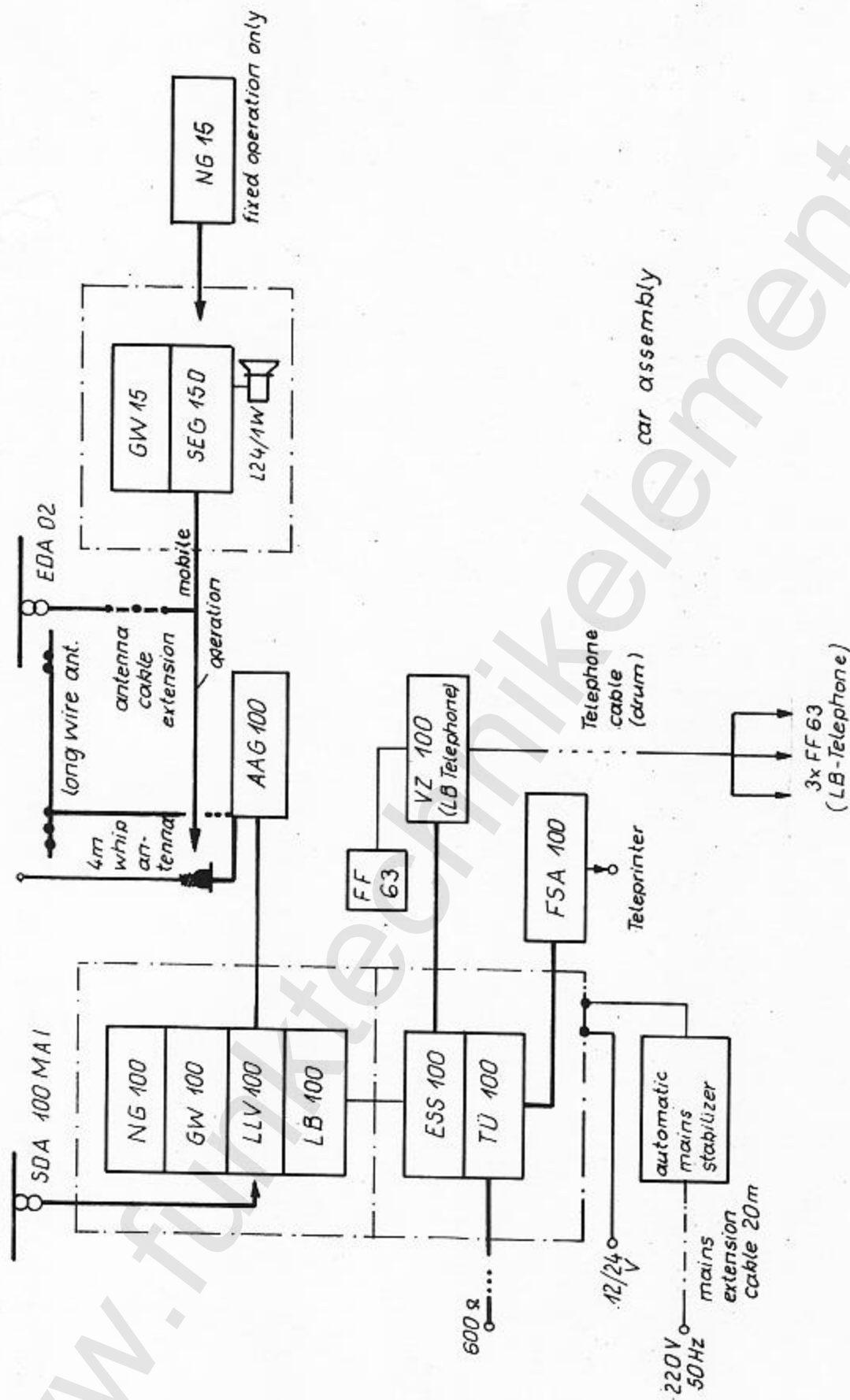
Type 7

HF - Sub station 100W/15W

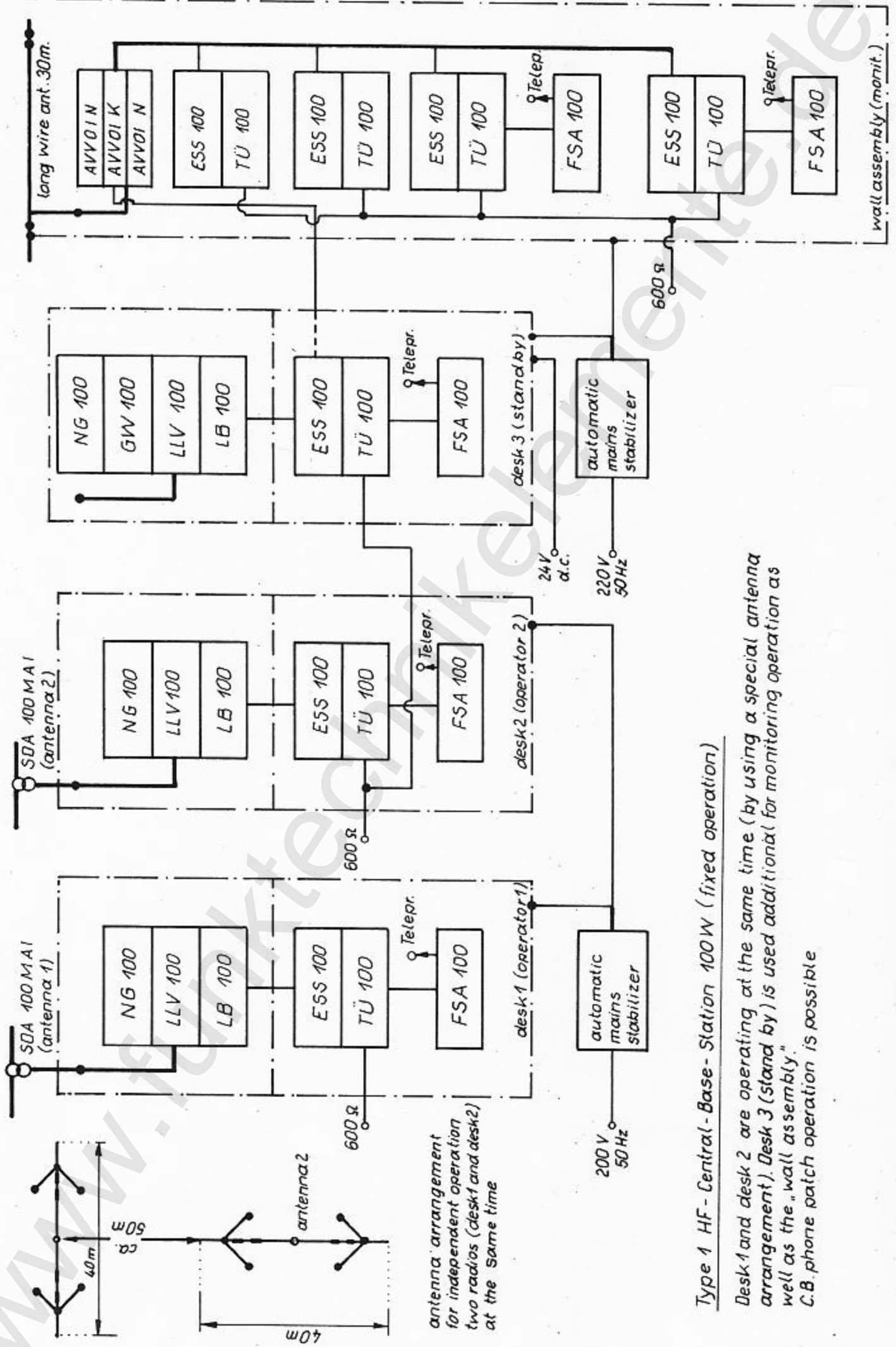


Type 2 HF-Base-Station 100 W / 15 W (fixed and portable operation)

Desk 1 and desk 2 are operating at the same time (by using a special antenna arrangement). The stand by wall assembly can be used for monitoring additional C.B. phone patch operation is possible



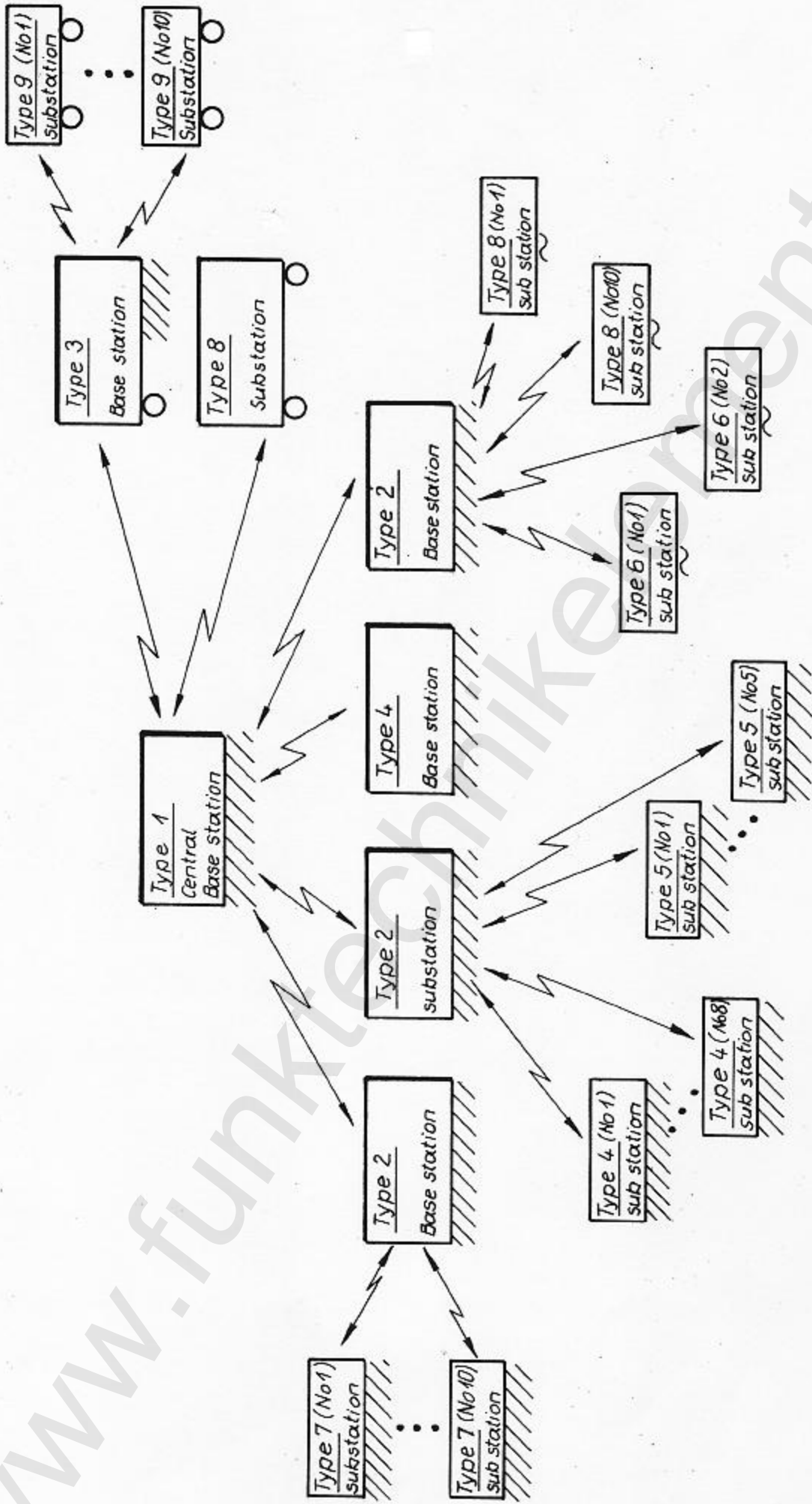
Type 3 HF-Base Station 100 W/ 15 W (mobile and portable operation)  
 By using a special antenna arrangement in fixed operation, the 100W- and the 15W radio can be used at the same time. For mobile operation the 15W radio can be used as well as 100W radio in connection with the matching unit AAG 100 on the 4m whip antenna. For fixed operation C.B. and L.B.-phone patch operation is possible.



Type 1 HF - Central-Base Station 100 W (fixed operation)

Desk 1 and desk 2 are operating at the same time (by using a special antenna arrangement). Desk 3 (standby) is used additional for monitoring operation as well as the "wall assembly".

C.B. phone patch operation is possible



Example : Country Radio Network

- Cons. of :
- 1 Station Type 1:
  - 3 Stations Type 2:
  - 1 Station Type 3:
  - 9 Stations Type 4:
  - 5 Stations Type 5:
  - 2 Stations Type 6:
  - 10 Stations Type 7:

- 10 Stations Type 8 :
  - 10 Stations Type 9 :
- total without assembly :  
total including assembly :  
(without spares) !