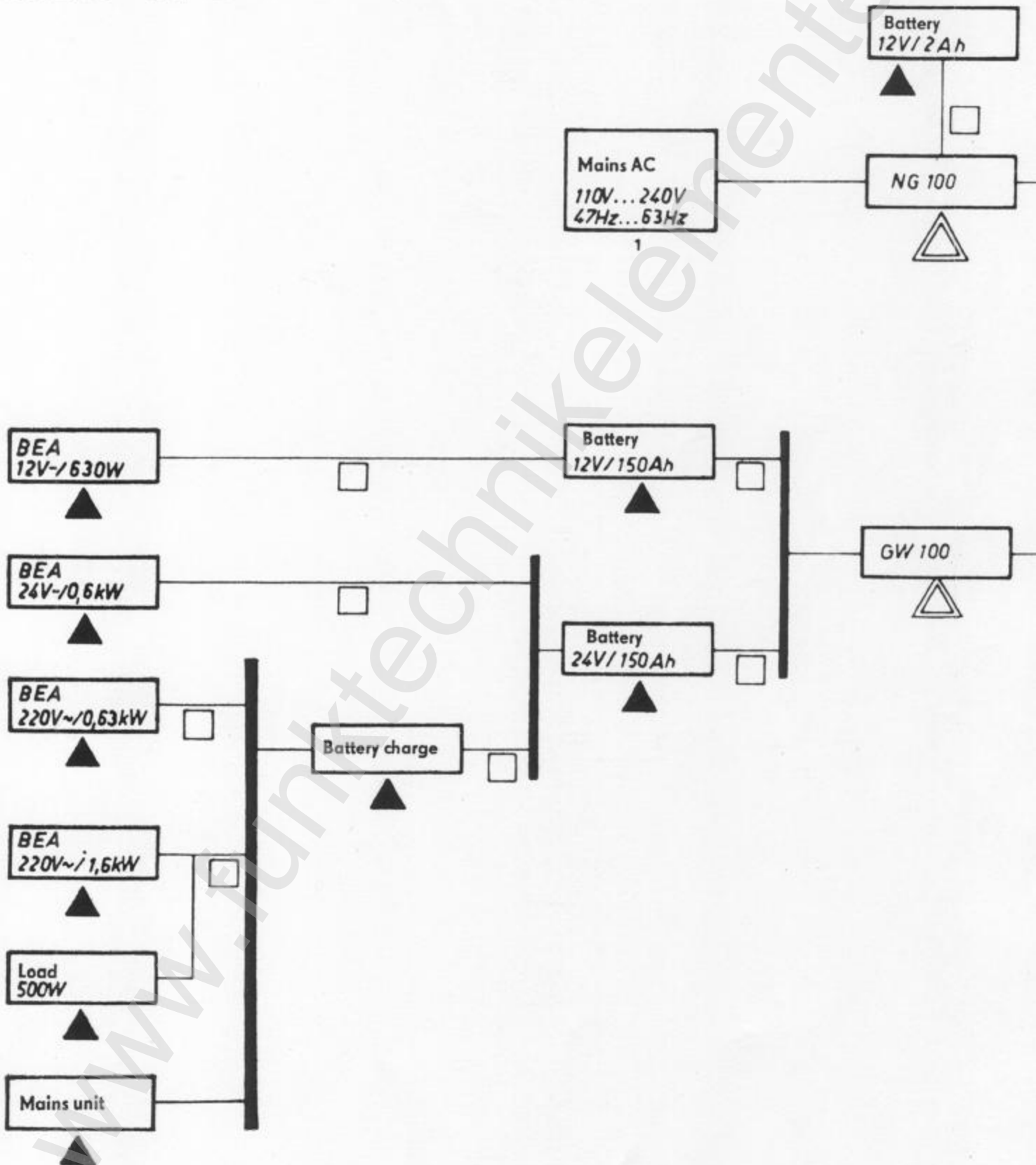
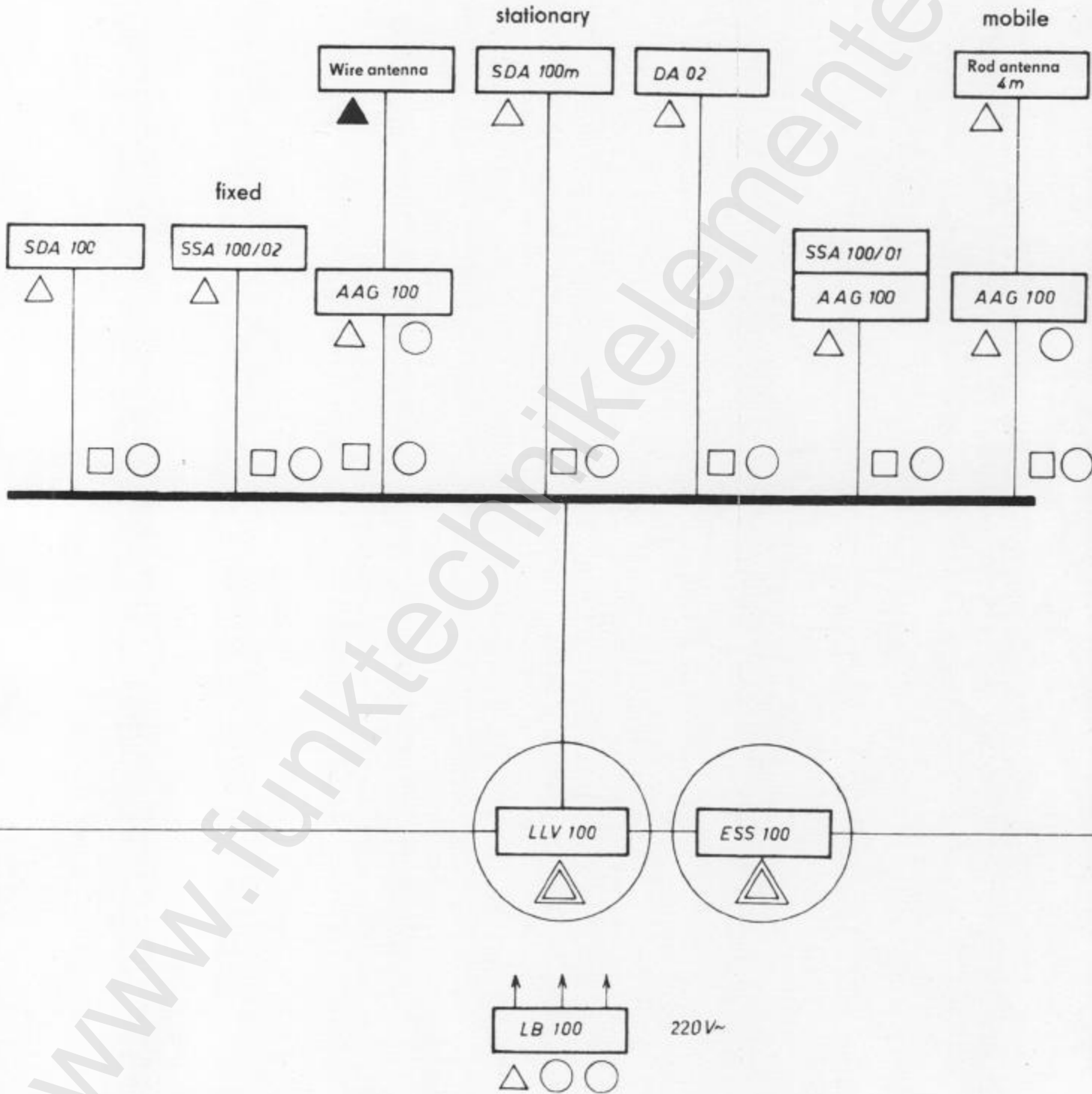


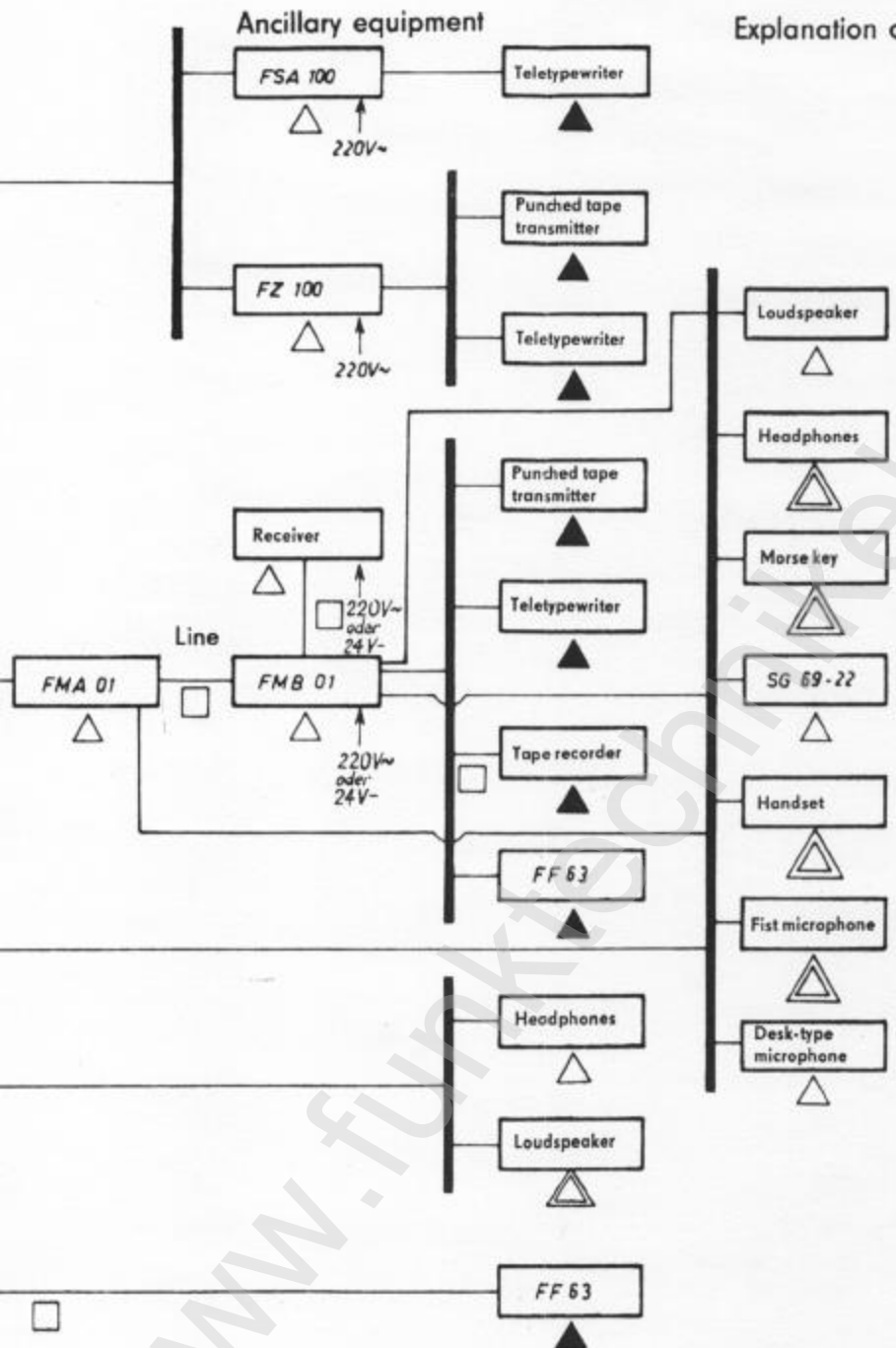
Equipment System SEG 100 D

Power supply



Antenna version





Explanation of symbols

-  Equipment must be ordered from other manufacturers
-  Equipment belongs to the parts supplied
-  Equipment must be ordered separately
-  Cable included in the parts supplied
-  Cable must be ordered separately
-  Assembly set included in the parts supplied
-  Assembly set must be ordered separately
-  Optional or if required

Basic equipment

- ESS 100 Receiver/Transmitter Control Unit
- LLV 100 Linear Power Amplifier

Power supply

- BEA Petrol Electric Aggregate
- GW 100 DC Converter
- NG 100 Power Supply Unit

Antenna versions

- AAG 100 Antenna Matching Unit
- DA 02 Dipole Antenna
- SDA 100 Transmitting Dipole Antenna
- SDA 100 m Transmitting Dipole Antenna, mobile
- SSA 100/01 Transmitting Rod Antenna, version 1
- SSA 100/02 Transmitting Rod Antenna, version 2
- LB 100 Fan Module

Ancillary equipment

- FF Field Telephone
- FMA Remote Modulation Connection Unit
- FMB Remote Modulation Operating Unit
- FSA Teletypewrite Adapter
- Fz Teletypewrite Attachment
- SG Operator's set